

Data Sheet

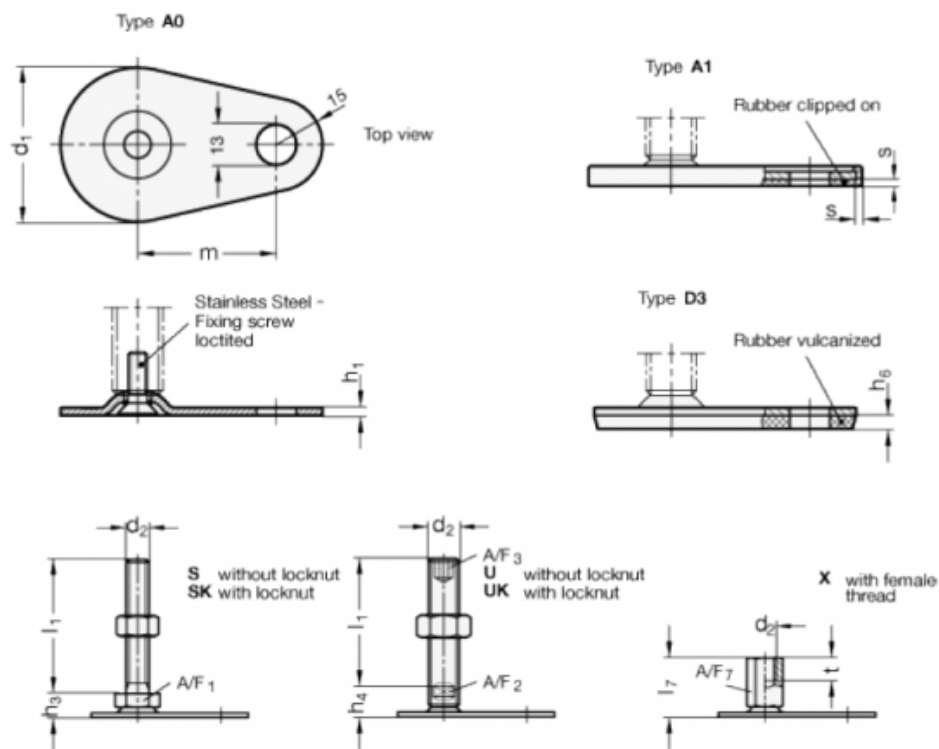


Article number: 204260M16125A1UK

Description: E+G levelling foot
GN 42-60-M16-125-A1-UK

Note: UK With nut, Hexagon socket at the top, Wrench flat at the bottom

Measures



| | |
|-----------|--------|
| A/F2 = 12 | m = 50 |
| A/F3 = 8 | s = 2 |
| d1 = 60 | |
| d2 = M16 | |
| h1 = 2.5 | |
| h4 = 17 | |
| h6 = | |
| l1 = 125 | |